 For the following igus® series

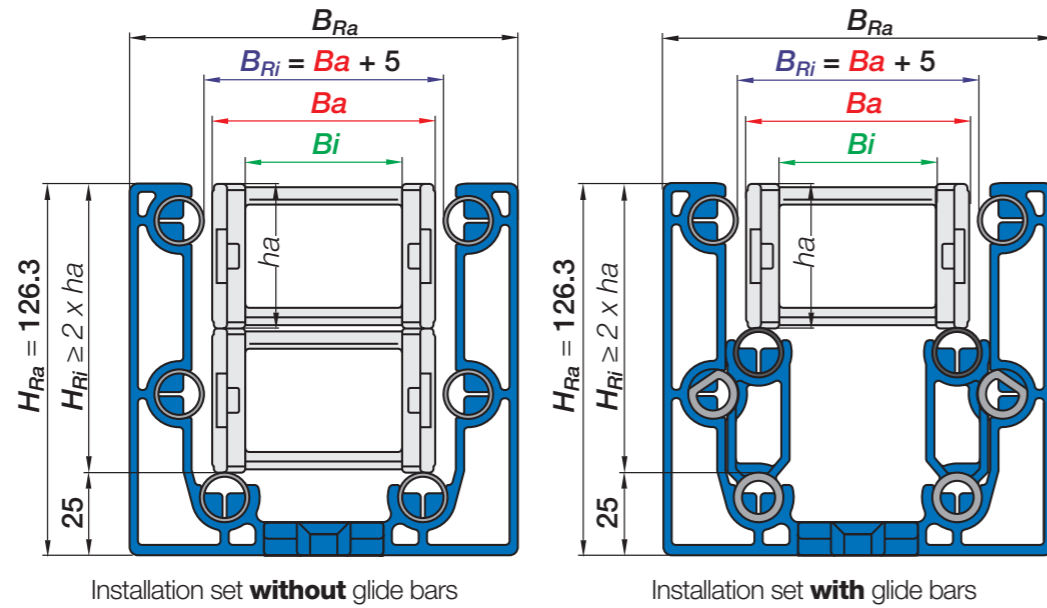
E2.1

● E2.38

E2/000

● 2700

For 1m trough without glide bars
6 tubes 1m long are required.
For 1m trough with glide bars 4
tubes 1m long are required.



Installation dimensions

XXX	Bi	Ba	B _{Ra}	B _{Ri}
05	50	66	124	71
06*	65	81	139	86
07	75	91	149	96
09*	90	106	164	111
10	100	116	174	121
12	125	141	199	146
15	150	166	224	171
17	175	194	252	199
20	200	219	277	224

*Spacer plate upon request

XXX = Width index

Tubular trough | Components

Individual parts	Part No.	Weight
Installation set without glide bars	95.70.XXX	≈ 0.21kg
Installation set with glide bars	95.71.XXX	≈ 0.17kg
Installation set junction	95.74.XXX	
Fastening set	92.77.2	
Tubular steel, diameter ø 15 x 1 galvanised (L = 985) for clearance Installation set 1m)	93.80	≈ 0.50kg

Please add the width index XXX. Example: 95.71.05



Order example: e-chain® inner width 50mm.
For 8m trough the following parts are required:

Area with glide bar:	4 x installation set + tube: 4 x 4 piece	95.71.050 93.80
Area without glide bar	4 x installation set + Tube: 4 x 6 piece	95.70.050 93.80
Transition from area without glide bar to area with glide bar	1 x installation set junction	95.74.05

