



For the following  
E-Chains/E-Tubes:

**System E2 Series**

- 2700

**System E2 E-Tubes**

- R58

**E2 medium classic**

- 27 classic

$B_a$  = Outer E-Chain\* width  
 $B_i$  = Inner E-Chain\* width  
 $h_a$  = E-Chain\* outer height  
 $H_{Ri}$  = Inner trough height  
 $H_{Ra}$  = Outer trough height  
 $B_{Ri}$  = Inner trough width  
depends on dim.  $B_a$   
 $B_{Ra}$  = Outer trough width

!  $H_{Ri} \geq 2 \cdot h_a$   
■  $B_{Ri} \geq B_a + 4$

- = Guide trough
- = Glide bar
- = Installation set "Basic"
- = C-profile



**Calculation - travel center mounted**

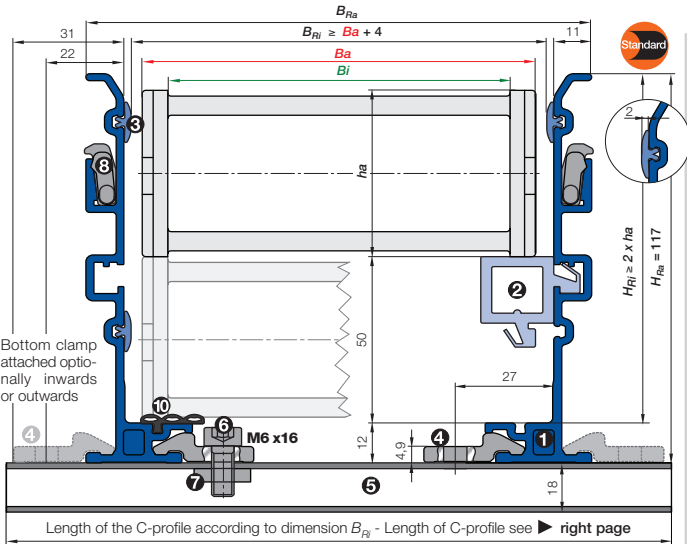
Half travel length, rounded down to full 2 m sections =  $X$  m guide trough length without glide bars +  $X$  m guide trough length with glide bars + installation sets "Basic" (number of trough pieces + 1)

Supplement Part No. with the indicated C-profile-length-index.  
**Example :** 960.30.150

C-profile length-index for your chosen trough inner width  $B_{Ri}$  ▶ see table on the right or the respective page for chosen series



**Fixed end module** - A quick fix for mounting the stationary end of an E-Chain\* ▶ page 9.16



- **Components, trough "Basic":** ① Trough side parts, aluminum, 2 m ② Glide bar, plastic, 2 m ③ Glide strips, plastic, 2 m (without glide strips on request) ⑩ Optional: Silencer profile, rubber
- **Components, installation set "Basic":** ④ Bottom clamp, aluminum ⑤ C-profile, steel galvanized ⑥ Screw M6 x 16 ⑦ Sliding nut M6 ⑧ Interface connector, plastic

**Basic version: Aluminum "SuperTrough" components**

Complete guide trough sets - description	Part No.	Weight	kg
① Set of 2 trough side parts, incl. glide strips, without glide bars, 2 m section	972.30.SL	= 6,00 kg	
① Set of 2 trough side parts, incl. glide strips, with glide bars, 2 m section	972.32.SL	= 7,40 kg	
1 Installation set "Basic" without C-profile	960.30	= 0,06 kg	
1 Installation set "Basic" with C-profile	960.30.		
Single parts - description			
⑥ 1 Glide strip, individual, 2 m section	75.01	= 0,06 kg	
⑩ 1 Silencer profile, rubber, individual, 2 m section	75.67.H		
④ 1 Bottom clamp, individual	75.40	= 0,03 kg	
⑧ 1 Interface connector, individual	75.60		
⑥ 1 Screw M6 x 16, individual	MAT 0040209		
⑦ 1 Sliding nut M6, individual	MAT 0040057		
② 1 Glide bar, individual, 2 m section	82.79	= 0,60 kg	
⑤ 1 C-profile, individual	92.52.	= 0,90 kg/m	



**Order example: Length of travel 30 m - Center mounted for Series 2700.07.200.0 with  $B_{Ri} = 95$**

Guide trough set (set of 2 trough side parts, incl. glide strips) **without** glide bar  
**Order text: 16 m guide trough without glide bar (8 x 2 m sections) Part No. 972.30.SL**

Guide trough set (set of 2 trough side parts, incl. glide strips) **with** glide bar  
**Order text: 16 m guide trough with glide bar (8 x 2 m sections) Part No. 972.32.SL**

Installation set "Basic" complete (guide trough-sets + 1)  
**Order text: 17 installation sets "Basic" Part No. 960.30.150**

Module for the fixed end  
**Order text: 1 set Part No. 972.81**

**Option:** For an additional noise dampening with silencer profile, please add Index A Example:  
**Part No. 972.30.SLA**

## Lengths of C-profile for Basic version - Bottom clamp attached optionally **inwards** or **outwards**

### 2700

2700.05.200.0

$B_{Rl}$ [mm]	Part No. attached inwards	Part No. attached outwards
.05 70	*	960.30.175
.06 85	960.30.150	960.30.200
.07 95	960.30.150	960.30.200
.09 110	960.30.175	960.30.225
.10 120	960.30.175	960.30.225
.12 145	960.30.200	960.30.250
.15 170	960.30.225	960.30.275
.17 198	960.30.250	960.30.300

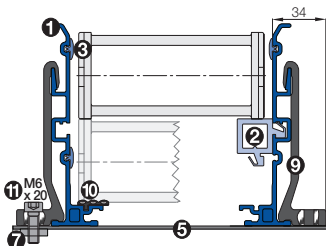
### R58

58.075.200.0

$B_{Rl}$ [mm]	Part No. attached inwards	Part No. attached outwards
.050 70	*	960.30.175
.075 95	960.30.150	960.30.200
.100 120	960.30.175	960.30.225
.125 145	960.30.200	960.30.250
.150 170	960.30.225	960.30.275
.175 195	960.30.250	960.30.300
.200 220	960.30.275	960.30.325

\*upon request

## "Heavy Duty" Version | Installation set Part No. Nr. 972.50



- **Components, trough "Heavy Duty":** ① Trough side parts, aluminum, 2 m ② Glide bar, plastic, 2 m ③ Glide strips, plastic 2 m (without glide strips on request) ⑩ Optional: Silencer profile, rubber
- **Components, installation set "Heavy Duty":** ⑤ C-profile, steel galvanized ⑦ Sliding nut M6 ⑨ Heavy duty bracket, aluminum ⑪ Screw M6 x 20



- = Guide trough
- = Glide bar
- = Installation set "Heavy duty"
- = C-profile

**Note:** Dimensions similar to Basic version!  
**Exception:** Heavy duty bracket, see drawing



Insert for the installation set "Heavy-Duty": **972.50.XXX** instead of 960.30.XXX on the right column "attached outwards"

**"Heavy Duty" installation set Part No. 972.50. 150**

! The inner width of the guide trough and the length of the C-Profile of the assembly kit can differ according to the bracket you choose. Please call us!