



For the following
E-Chains®/E-Tubes:

System E2 Series

- 3500

System E2 E-Tubes Series

- R68

System E4 Series

- E4.42/H4.42/R4.42
- 380/390/R780
- 3838/3938/R7838

System E6 Series

- E6.52/R6.52

E2 medium classic

- 350 classic

B_a = Outer E-Chain® width
 B_i = Inner E-Chain® width
 h_a = E-Chain® outer height
 H_{Ri} = Inner trough height
 H_{Ra} = Outer trough height
 B_{Ri} = Inner trough width ▶ depends on dim. B_a
 B_{Ra} = Outer trough width

! $H_{Ri} \geq 2 \cdot h_a$
■ $B_{Ri} \geq B_a + 4$

- = Guide trough
- = Glide bar
- = Installation set "Basic"
- = C-profile



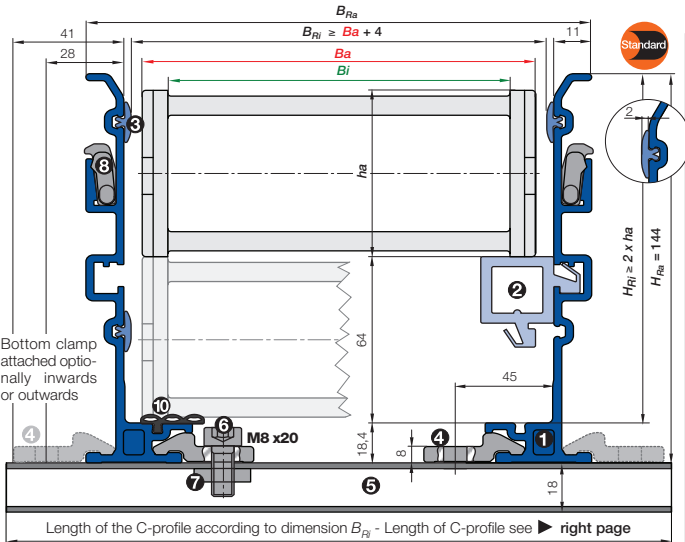
Calculation - travel center mounted

Half travel length, rounded down to full 2 m sections = **X m guide trough length without glide bars** + **X m guide trough length with glide bars** + installation sets "Basic" (number of trough pieces + 1)

Supplement Part No. with the indicated C-profile-length-index.
Example: 960.40.175
C-profile length-index for your chosen trough inner width B_{Ri} ▶ see table on the right or the respective page for chosen series



Fixed end module - A quick fix for mounting the stationary end of an E-Chain® ▶ **page 9.16**



- **Components, trough "Basic":** ① Trough side parts, aluminum, 2 m ② Glide bar, plastic, 2 m ③ Glide strips, plastic, 2 m (without glide strips on request) ⑩ Optional: Silencer profile, rubber
- **Components, installation set "Basic":** ④ Bottom clamp, aluminum ⑤ C-profile, steel galvanized ⑥ Screw M8 x 20 ⑦ Sliding nut M8 ⑧ Interface connector, plastic

Basic version: Aluminum "SuperTrough" components

Complete guide trough sets - description	Part No.	Weight	kg
① Set of 2 trough side parts, incl. glide strips, without glide bars, 2 m section	973.30.SL	≈ 8,00 kg	
① Set of 2 trough side parts, incl. glide strips, with glide bars, 2 m section	973.31.SL	≈ 10,8 kg	
1 Installation set "Basic" without C-profile	960.40.	≈ 0,08 kg	
1 Installation set "Basic" with C-profile	960.40.		
Single parts - description			
⑥ 1 Glide strip, individual, 2 m section	75.01	≈ 0,06 kg	
⑩ 1 Silencer profile, rubber, individual, 2 m section	75.68.H		
④ 1 Bottom clamp, individual	75.50	≈ 0,04 kg	
⑧ 1 Interface connector, individual	75.60		
⑥ 1 Screw M8 x 20, individual	MAT 0040445		
⑦ 1 Sliding nut M8, individual	MAT 0040413		
② 1 Glide bar, individual, 2 m section	83.79	≈ 1,30 kg	
⑤ 1 C-profile, individual	92.52.	≈ 0,90 kg/m	



Order example: Length of travel 30 m - Center mounted for Series 3500.100.200.0 with $B_{Ri} = 124$

Guide trough set (set of 2 trough side parts, incl. glide strips) **without** glide bar
Order text: 16 m guide trough without glide bar (8 x 2 m sections) Part No. 973.30.SL

Guide trough set (set of 2 trough side parts, incl. glide strips) **with** glide bar
Order text: 16 m guide trough with glide bar (8 x 2 m sections) Part No. 973.31.SL

Installation set "Basic" complete (guide trough-sets + 1)
Order text: 17 installation sets "Basic" Part No. 960.40.175

Module for the fixed end
Order text: 1 set Part No. 973.80

Option: For an additional noise dampening with silencer profile, please add Index A Example:
Part No. 973.30.SLA

Lengths of C-profile for Basic version - Bottom clamp attached optionally inwards or outwards

3500			E4.42/H4.42/R4.42			380/390/R780			3838/3938/R7838			E6.52/R6.52			
3500.050.200.0			E4.42.05.200.0			380.05.200.0			3838.05.200.0			E6.52.040.200.0			
B_{Ri} [mm]	Part No. attached inwards	Part No. attached outwards	B_{Ri} [mm]	Part No. attached inwards	Part No. attached outwards	B_{Ri} [mm]	Part No. attached inwards	Part No. attached outwards	B_{Ri} [mm]	Part No. attached inwards	Part No. attached outwards	B_{Ri} [mm]	Part No. attached inwards	Part No. attached outwards	
.050	74	*	960.40.200	.05	80	*	960.40.200	.05	80	*	960.40.200	.05	81	*	960.40.200
.075	99	*	960.40.225	.06	98	*	960.40.225	.06	98	*	960.40.225	.06	99	*	960.40.225
.100	124	960.40.175	960.40.250	.07	105	*	960.40.225	.07	105	*	960.40.225	.07	106	*	960.40.225
.115	139	960.40.200	960.40.275	.087	118	960.40.175	960.40.250	.087	118	960.40.175	960.40.250	.087	119	960.40.175	960.40.250
.125	149	960.40.200	960.40.275	.10	130	960.40.200	960.40.250	.10	130	960.40.200	960.40.250	.10	131	960.40.200	960.40.250
.150	174	960.40.225	960.40.300	.11	138	960.40.200	960.40.275	.11	138	960.40.200	960.40.275	.11	139	960.40.200	960.40.275
.175	199	960.40.250	960.40.325	.112	143	960.40.200	960.40.275	.112	143	960.40.200	960.40.275	.112	144	960.40.200	960.40.275
.200	224	960.40.275	960.40.350	.12	155	960.40.225	960.40.275	.12	155	960.40.225	960.40.275	.12	156	960.40.225	960.40.275
.225	249	960.40.300	960.40.375	.137	168	960.40.225	960.40.300	.137	168	960.40.225	960.40.300	.137	169	960.40.225	960.40.300
.250	274	960.40.325	960.40.400	.15	180	960.40.250	960.40.300	.15	180	960.40.250	960.40.300	.15	181	960.40.250	960.40.300
				.162	193	960.40.250	960.40.325	.162	193	960.40.250	960.40.325	.162	194	960.40.250	960.40.325
				.17	198	960.40.250	960.40.325	.17	198	960.40.250	960.40.325	.17	199	960.40.250	960.40.325
				.18	205	960.40.275	960.40.325	.18	205	960.40.275	960.40.325	.18	206	960.40.275	960.40.325
				.187	218	960.40.275	960.40.350	.187	218	960.40.275	960.40.350	.187	219	960.40.275	960.40.350
				.20	230	960.40.300	960.40.350	.20	230	960.40.300	960.40.350	.20	231	960.40.300	960.40.350
				.212	243	960.40.300	960.40.375	.212	243	960.40.300	960.40.375	.212	244	960.40.300	960.40.375
				.23	255	960.40.325	960.40.375	.23	255	960.40.325	960.40.375	.23	256	960.40.325	960.40.375
				.237	268	960.40.325	960.40.400	.237	268	960.40.325	960.40.400	.237	269	960.40.325	960.40.400
				.25	280	960.40.350	960.40.400	.25	280	960.40.350	960.40.400	.25	281	960.40.350	960.40.400
				.262	293	960.40.350	960.40.425	.262	293	960.40.350	960.40.425	.262	294	960.40.350	960.40.425
				.28	305	960.40.375	960.40.425	.28	305	960.40.375	960.40.425	.28	306	960.40.375	960.40.425
				.29	318	960.40.375	960.40.450	.29	318	960.40.375	960.40.450	.29	319	960.40.375	960.40.450
				.30	330	960.40.400	960.40.450	.30	330	960.40.400	960.40.450	.30	331	960.40.400	960.40.450
				.312	343	960.40.400	960.40.475	.312	343	960.40.400	960.40.475	.312	344	960.40.400	960.40.475
				.325	355	960.40.425	960.40.475	.325	355	960.40.425	960.40.475	.325	356	960.40.425	960.40.475
				.337	368	960.40.425	960.40.500	.337	368	960.40.425	960.40.500	.337	369	960.40.425	960.40.500
				.350	380	960.40.450	960.40.500	.350	380	960.40.450	960.40.500	.350	381	960.40.450	960.40.500
				.362	393	960.40.450	960.40.525	.362	393	960.40.450	960.40.525	.362	394	960.40.450	960.40.525
				.375	406	960.40.475	960.40.525	.375	406	960.40.475	960.40.525	.375	406	960.40.475	960.40.525
				.387	418	960.40.475	960.40.550	.387	418	960.40.475	960.40.550	.387	419	960.40.475	960.40.550
				.400	430	960.40.500	960.40.550	.400	430	960.40.500	960.40.550	.400	431	960.40.500	960.40.550

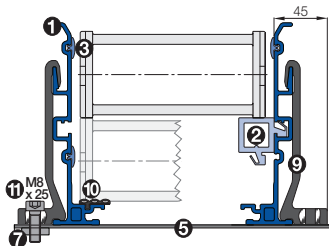
R68

68.050.200.0

B_{Ri} [mm]	Part No. attached inwards	Part No. attached outwards	B_{Ri} [mm]	Part No. attached inwards	Part No. attached outwards	B_{Ri} [mm]	Part No. attached inwards	Part No. attached outwards	B_{Ri} [mm]	Part No. attached inwards	Part No. attached outwards	B_{Ri} [mm]	Part No. attached inwards	Part No. attached outwards	
.050	72	*	960.40.200	.262	293	960.40.350	960.40.425	.262	293	960.40.350	960.40.425	.262	294	960.40.350	960.40.425
.075	97	*	960.40.225	.28	305	960.40.375	960.40.425	.28	305	960.40.375	960.40.425	.28	306	960.40.375	960.40.425
.100	122	960.40.175	960.40.250	.29	318	960.40.375	960.40.450	.29	318	960.40.375	960.40.450	.29	319	960.40.375	960.40.450
.115	137	960.40.200	960.40.275	.30	330	960.40.400	960.40.450	.30	330	960.40.400	960.40.450	.30	331	960.40.400	960.40.450
.125	147	960.40.200	960.40.275	.312	343	960.40.400	960.40.475	.312	343	960.40.400	960.40.475	.312	344	960.40.400	960.40.475
.150	172	960.40.225	960.40.300	.325	355	960.40.425	960.40.475	.325	355	960.40.425	960.40.475	.325	356	960.40.425	960.40.475
.175	197	960.40.250	960.40.325	.337	368	960.40.425	960.40.500	.337	368	960.40.425	960.40.500	.337	369	960.40.425	960.40.500
.200	222	960.40.275	960.40.350	.350	380	960.40.450	960.40.500	.350	380	960.40.450	960.40.500	.350	381	960.40.450	960.40.500
.225	247	960.40.300	960.40.375	.362	393	960.40.450	960.40.525	.362	393	960.40.450	960.40.525	.362	394	960.40.450	960.40.525
.250	272	960.40.325	960.40.400	.375	406	960.40.475	960.40.525	.375	406	960.40.475	960.40.525	.375	406	960.40.475	960.40.525
				.387	418	960.40.475	960.40.550	.387	418	960.40.475	960.40.550	.387	419	960.40.475	960.40.550
				.400	430	960.40.500	960.40.550	.400	430	960.40.500	960.40.550	.400	431	960.40.500	960.40.550

*upon request

"Heavy Duty" Version | Installation set Part No. 973.50



- Components, trough "Heavy Duty": ① Trough side parts, aluminum, 2 m ② Glide bar, plastic, 2 m ③ Glide strips, plastic 2 m (without glide strips on request) ⑩ Optional: Silencer profile, rubber
- Components, installation set "Heavy Duty": ⑤ C-profile, steel galvanized ⑦ Sliding nut M8 ⑧ Heavy duty bracket, aluminum ⑪ Screw M8 x 25



- = Guide trough
- = Glide bar
- = Installation set "Heavy duty"
- = C-profile

Note: Dimensions similar to Basic version!
Exception: Heavy duty bracket, see drawing

Insert for the installation set "Heavy-Duty": **973.50.XXX** instead of **960.40.XXX** on the right column "attached outwards"

"Heavy Duty" installation set Part No. **973.50.175**

! The inner width of the guide through and the length of the C-Profile of the assembly kit can differ according to the bracket you choose. Please call us!