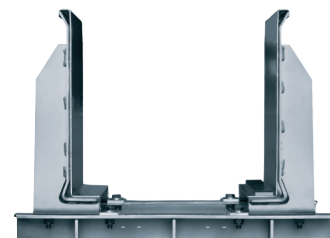
 For the following igus® series

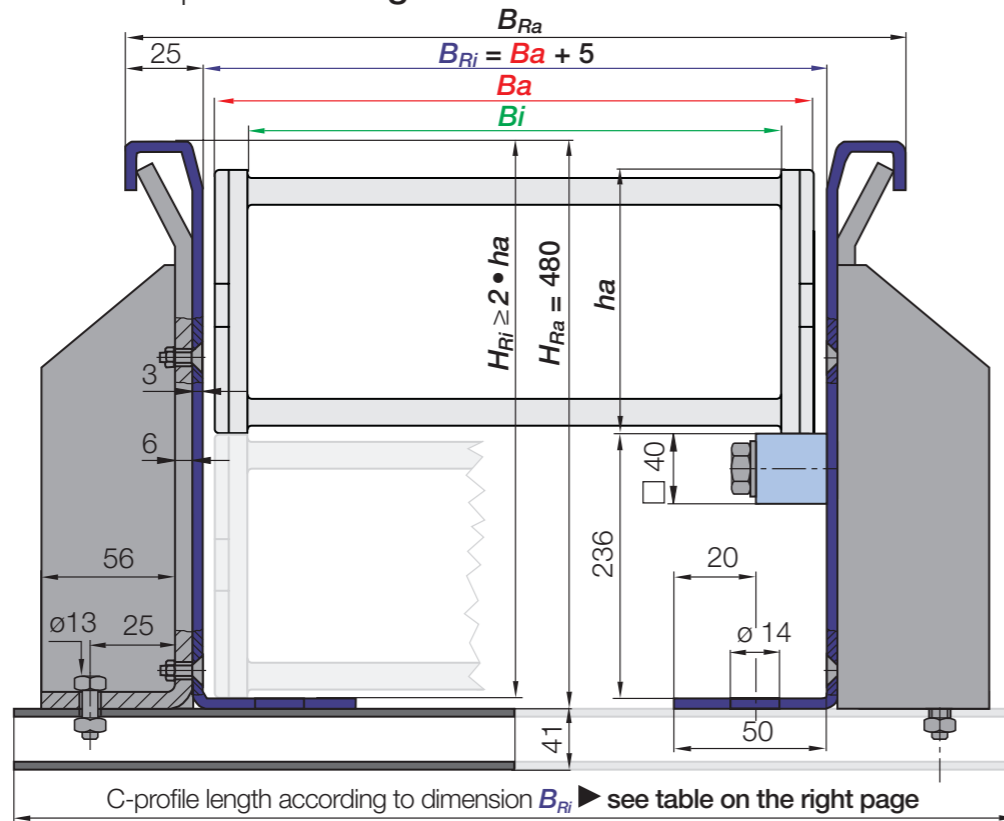
E4.1

- 800
- 840



Option: with reinforced mounting angles for extremely demanding heavy-duty applications

Note: The inner width of the guide trough and the C-profile length of the installation set can differ according to the mounting bracket you choose. Please call us.



Steel guide trough | Full set

Trough side parts	Part No.	Weight
Trough side part, without glide bar, 2m section	90.30.E ¹⁾ / E44 ²⁾ / E45 ³⁾	≈ 26.70kg
Trough side part, with glide bar, bolted, 2m section	90.31.E ¹⁾ / E44 ²⁾ / E45 ³⁾	≈ 29.70kg
Installation sets	Part No.	Weight
1 installation set without C-profile	90.50	≈ 0.41kg
1 installation set with C-profile (C-profile length according to dimension B_{Ri})	90.50.XXX*	upon request

*Please add the C-profile length **XXX** as shown on the tables on the right page. Example: 90.50.450

Steel guide trough | Components as individual parts

Individual parts, trough	Part No.	Weight
1 trough side part, individual, 2m section	90.11.E ¹⁾ / E44 ²⁾ / E45 ³⁾	≈ 26.70kg
1 glide bar, plastic, individual, 2m section	90.01	≈ 1.68kg
1 glide bar, individual, 2m section + 11 screw sets	90.20	≈ 2.22kg
1 package with 11 screw sets (for glide bar, 2m section)	90.21	≈ 0.54kg
Individual parts, installation set	Part No.	Weight
1 clamping bracket, individual	90.51	≈ 0.52kg
1 countersunk-head screw, individual	MAT0040014 / M8 x 25	
1 hexagon nut, individual	MAT0040012 / M8	
1 hexagon-head screw, individual	MAT0040384 / M12 x 30	
1 glide nut, individual	MAT0040385 / M12	
1 C-profile, individual (C-profile length according to dimension B_{Ri})	IE70.41-41.XXX*.E ¹⁾	≈ 0.90kg/m
Additional option for simple fixing of the e-chain® without drilling	Part No.	Weight
1 set fixed end module (more information ► Page 1240)	90.80.01**	≈ 53.40kg

*Please add the C-profile length **XXX** as shown on the tables on the right page. Example: IE70.41-41.450.E

1) Trough side parts + C-profile - also available in 304 stainless steel, material 1.4301 (AISI 304). Please add index **E** to the Part No.

2) Trough side parts - also available in 316 stainless steel, material 1.4404 (AISI 316L). Please add index **E44** to the Part No.

3) Trough side parts - also available in 316 stainless steel, material 1.4571 (AISI 316Ti). Please add index **E45** to the Part No.

**Fixed end module available upon request. Please consult igus® for delivery time.

800			840		
Width index	B_{Ri} [mm]	Part No. Installation set	Width index	B_{Ri} [mm]	Part No. Installation set
.20	265	90.50.450	.13	165	90.50.350
.25	315	90.50.500	.15	178	90.50.350
.30	365	90.50.550	.16	190	90.50.375
.32	390	90.50.575	.17	203	90.50.375
.35	415	90.50.600	.18	215	90.50.400
.40	465	90.50.650	.20	228	90.50.400
.45	515	90.50.700	.21	240	90.50.425
.50	565	90.50.750	.22	253	90.50.425
.55	615	90.50.800	.23	265	90.50.450
.60	665	90.50.850	.25	278	90.50.450
			.26	290	90.50.475
			.27	303	90.50.475
			.28	315	90.50.500
			.30	328	90.50.500
			.31	340	90.50.525
			.32	353	90.50.525
			.33	365	90.50.550
			.35	378	90.50.550
			.36	390	90.50.575
			.37	403	90.50.575
			.38	415	90.50.600
			.40	428	90.50.600
			.41	440	90.50.625
			.42	453	90.50.625
			.43	465	90.50.650
			.45	478	90.50.650
			.46	490	90.50.675
			.47	503	90.50.675
			.48	515	90.50.700
			.50	528	90.50.700
			.51	540	90.50.725
			.52	553	90.50.725
			.53	565	90.50.750
			.55	578	90.50.750
			.60	628	90.50.800



Assembly of an E4 e-chain® series 800 in a steel guide trough